



ASFINAG CONTENT

Service Package Catalog

<i>Document Number</i>	<i>Version</i>	<i>valid from</i>	<i>Document Status</i>	<i>Distribution</i>	<i>Work Unit</i>	<i>Number of Pages</i>
100.800.101 2	2.9	14.04.2016	Released	public	051	55s

VL MSG Technischer Servicekatalog für Externe

ASFINAG Technical Document



AUTOBAHNEN- UND SCHNELLSTRASSEN-FINANZIERUNGS-AKTIENGESELLSCHAFT
 Rotenturmstraße 5 –9, 1010 WIEN, Telefon +43 (0) 50108 - 10000, Telefax + 43 (0) 50108
 – 10020

Dokument-Nr. 100.800.1012	ASFINAG CONTENT Service Package Catalog	Version: 2.9
------------------------------	--	--------------

Document-Nr. 100.800.1012	ASFINAG CONTENT Service Package Catalogue	Version: 2.9
------------------------------	--	--------------

Change Manager

<i>Name</i>	<i>Company</i>	<i>Telephone</i>	<i>Fax</i>	<i>E - Mail</i>
Gottfried Allmer	MSG TD	+43 (0) 50108 12455	+43 (0) 50108 912410	gottfried.allmer@asfinag.at

Document Release

<i>created by</i>	<i>reviewed by</i>	<i>released by</i>
MSG/TD/Gottfried Allmer		
Date: 02.03.2016		

Document Validity

<i>Version</i>	<i>Valid from</i>	<i>thru</i>
2.6 DRAFT	22.04.2015	31.12.2015
2.7 DRAFT	18.05.2015	31.12.2015
2.8 DRAFT	08.08.2015	31.12.2015
2.9 RELEASED	14.04.2016	31.12.2016

Document History

<i>Version</i>	<i>Valid From</i>	<i>Document Status</i>	<i>Distribution</i>	<i>Responsible</i>	<i>Reason for change</i>
1.00	26.06.2014	DRAFT	company	MSG-TD	initial
2.00	06.10.2014	DRAFT	company	MSG-TD	Review BDA
2.01	06.10.2014	DRAFT	company	MSG-TD	Review BDA: AGB, SLA, Datex2

Print Date: 14.04.2016

Document Name: ASFINAG CONTENT FRAMEWORK

©2015 ASFINAG Autobahnen- und Schnellstraßen-Finanzierungs-Aktienges. page 1 of 46

Dokument-Nr. 100.800.1012	ASFINAG CONTENT Service Package Catalog	Version: 2.9
------------------------------	--	--------------

2.02	03.12.2014	DRAFT	company	MSG-TD	Reviewed and released by ASFINAG Legal Department
2.03	12.12.2014	DRAFT	company	MSG-TD	Datatypes edited
2.04	16.01.2015	DRAFT	company	MSG-TD	Datatypes edited
2.05	20.04.2015	DRAFT	company	MSG-TD	Pricing edited
2.06	22.04.2015	DRAFT	public	MSG-TD	Review BDA, MHR am 21.04.2015 in HLD. Distribution from „company“ to „public“. Intelligent Truck Parking as separate DATA_ITEM. EIP Enhanced Synchronized Package Performance with EIP SLA levels.
2.07	18.05.2015	DRAFT	Public	MSG-TD	Formatted
2.08	08.08.2015	DRAFT	Public	MSG-TD	Formatted
2.09	14.04.2016	RELEASE D	Public	MSG-TD	Removed Appendix C,D

Print Date: 21.04.2015

Document Name: ASFINAG CONTENT FRAMEWORK

©2015 ASFINAG Autobahnen- und Schnellstraßen-Finanzierungs-Aktienges. page 2 of 46

Document-Nr. 100.800.1012	ASFINAG CONTENT Service Package Catalogue	Version: 2.9
------------------------------	--	--------------

Directory

1 Introduction	6
2 Packages	7
2.1 BASIC	8
2.2 Premium Level STANDARD	9
2.3 Premium Level GOLD	10
3 CONTENT CATALOG	11
3.1 DATA_ITEM Points Of Interest.....	12
3.2 DATA_ITEM Webcams SingleScreen	13
3.3 DATA_ITEM Rest Areas	14
3.4 DATA_ITEM Intelligent Truck Parking	15
3.5 DATA_ITEM Toll	16
3.6 DATA_ITEM Roadworks Simple.....	17
3.7 DATA_ITEM Webcams CamPic.....	18
3.8 DATA_ITEM Webcams MultiScreen.....	19
3.9 DATA_ITEM Traffic Messages	20
3.10 DATA_ITEM Roadworks Detailed	21
3.11 DATA_ITEM Traffic Data.....	23
3.12 DATA_ITEM Traffic Signs	24
4 Quality and Service Levels	25
5 ASFINAG Branding	26
6 AGB für ASFINAG CONTENT FREE Package.....	27
6.1 Definitionen	27
6.2 Präambel.....	27
6.3 Leistungsbeschreibung	27
6.4 Gegenstand und Umfang des Nutzungsvertrages.....	28
6.5 Rechte und Pflichten von ASFINAG	28
6.6 Rechte und Pflichten der Nutzer	30
6.7 Urheberrecht	30
6.8 Änderungen der Nutzungsbedingungen	31
7 AGB für BASIC und PREMIUM Packages.....	32
7.1 Definitionen	32
7.2 Lizenziertes Content	33
7.2.1 Lizenz	33

Dokument-Nr. 100.800.1012	ASFINAG CONTENT Service Package Catalog	Version: 2.9
------------------------------	--	--------------

7.2.2	Rechte des Lizenznehmers.....	34
7.2.3	Rechte des Lizenzgebers.....	34
7.2.4	Lizenznehmer Werke.....	34
7.2.5	Unveränderte Kopien.....	34
7.3	Lieferung, Annahme und Updates.....	35
7.3.1	Lieferung.....	35
7.3.2	Annahme.....	35
7.3.3	Updates (Rahmenlieferung).....	35
7.4	Vergütung.....	36
7.4.1	Vergütung.....	36
7.4.2	Die Gebühren.....	36
7.5	Garantien.....	37
7.5.1	Rechte.....	37
7.5.2	Content.....	37
7.5.3	Qualität.....	37
7.6	Freistellungsverpflichtung.....	37
7.6.1	Ansprüchen Dritter.....	37
7.6.2	Schäden und Ansprüchen Dritter.....	38
7.7	Haftung.....	38
7.8	Geheimhaltung und PR.....	39
7.8.1	Geheimhaltung.....	39
7.8.2	PR.....	39
7.9	Laufzeit und Beendigung.....	39
7.9.1	Laufzeit.....	39
7.9.2	Verlängerung.....	39
7.9.3	Kündigung durch den Lizenzgeber oder der Lizenznehmer.....	40
7.9.4	Folgen der Beendigung.....	40
7.9.5	Widerruf.....	40
7.9.6	Das Recht beider Parteien zur Kündigung aus wichtigem Grund bleibt unberührt. 40	
7.10	Sonstige Bestimmungen.....	40
7.10.1	Übertragung.....	40
7.10.2	Subunternehmer.....	41
7.10.3	Gesellschaft, Partnerschaft, Joint Venture.....	41
7.10.4	Unwirksame Bestimmung.....	41

Document-Nr. 100.800.1012	ASFINAG CONTENT Service Package Catalogue	Version: 2.9
------------------------------	--	--------------

7.10.5	Gesamte Abrede.....	41
7.10.6	Änderungen	41
7.10.7	Unterschrift	41
7.10.8	Wirksamkeit der Regelungen	42
8	AGB für Webcams.....	43
8.1	Anwendungsbereich.....	43
8.2	Leistungen der ASFINAG	43
8.3	Titel.....	44
8.4	Pflichten des User/Visitor	44
8.5	Hyperlinks	44
8.6	Haftung	45
8.7	Gerichtsstand, anwendbares Recht.....	45
APPENDIX A	ASFINAG CONTENT Managed Data Sources.....	46
A.1	VMIS – ASFINAG Traffic Management System.....	46
A.2	ASFINAG Webcam System.....	46
APPENDIX B	ASFINAG CONTENT Data Sheet.....	1
B.1	Access	1
B.2	Resource Collections (DATA_ITEMS)	1
B.3	Universal Resource Identifiers (URI)	3
A B.3.1	Resource Key	3
B.4	Response File Fields.....	5
APPENDIX C	ASFINAG CONTENT Service Level Agreements	6
APPENDIX D	ASFINAG CONTENT Price List.....	7

1 Introduction

This document describes the data interfaces ASFINAG provides to customers worldwide.

The scope of the supplied data is clustered into packages. The Basic Package is an Open Data interface which only requires registration. The Performance Packages build on this by providing *managed services* which supply advanced traffic data, enhanced precision and shortened delay times right down to real time.

Any data type supplied consists of data gathered on the complete Austrian highway network, as ASFINAG builds and maintains all of Austria's highways. To date there is one exception to this rule in the north of Lower Austria, but all traffic data from there is also fed into the central ASFINAG data processing system and is therefore available on the ASFINAG data interfaces.

Document-Nr. 100.800.1012	ASFINAG CONTENT Service Package Catalogue	Version: 2.9
------------------------------	--	--------------

2 Packages

ASFINAG calls the data types which can be retrieved from ist data interface „DATA_ITEMS“ and a complete set of DATA_ITEMS with attached service and quality levels of delivery a „PACKAGE“.

The ASFINAG CONTENT Service and Quality Levels have been modelled to adhere to the „Data and service quality requierments for (realtime) traffic information incl. Road safety related traffic information Quality Requirements“ of the European ITS Platform (EIP) Sub-Activity (SA) 3.2. See Appendix C for details.

You would typically choose the required DATA_ITEMS you need together with the necessary service and quality level to determine the required Package. Then proceed to the ASFINAG CONTENT Portal *content.asfinag.at* to register and initiate the data stream(s). This can involve a contract and appropriate pricing.

2.1 BASIC

<i>Package BASIC</i>	
<i>Supplied DATA_ITEMS</i>	Points Of Interest
	Webcam Single Screen
	Intelligent Truck Parking
	Toll
	Roadworks Simple
<i>ASFINAG Branding</i>	YES (CC-BY)
<i>Service Level</i>	Best effort
<i>Performance Level</i>	Latency < 10 minutes
<i>LOS Precision Level</i>	Link between intersections (location code)

With the BASIC Package all fixed infrastructure data and single Webcam screens can be accessed.

ASFINAG relays the data is relayed to the DATA_ITEMS in large data batches, so delays of several minutes have to be taken into account.

See Appendix C for the applicable Service and Quality Levels.

Document-Nr. 100.800.1012	ASFINAG CONTENT Service Package Catalogue	Version: 2.9
------------------------------	--	--------------

2.2 Premium Level STANDARD

<i>Package EIP ENHANCED</i>	
<i>Supplied DATA_ITEMS</i>	Webcam CamPic
	Webcam MultiScreen
	Traffic Messages
	Roadworks Detailed
	Traffic Data
	Traffic Signs
	Points Of Interest
	Webcam Single Screen
	Intelligent Truck Parking
	Toll
	Roadworks Simple
<i>ASFINAG Branding</i>	YES/NO
<i>Service Level</i>	Best effort
<i>Performance Level</i>	Latency < 5 minutes
<i>LOS Precision Level</i>	Link between intersections (location code)

With the EIP ENHANCED Package all available data can be accessed.

ASFINAG relays the VMS switching data directly from the infrastructure so that near real time performance is achieved.

Selection of the ASFINAG Branding Level influences the pricing. Refer to „6 Price List“.

Refer to Appendix B for the applicable Service and Quality Levels.

2.3 Premium Level GOLD

<i>Package EIP ADVANCED</i>	
<i>Supplied DATA_ITEMS</i>	Webcam CamPic
	Webcam MultiScreen
	Traffic Messages
	Roadworks Detailed
	Traffic Data
	Traffic Signs
	Points Of Interest
	Webcam Single Screen
	Intelligent Truck Parking
	Toll
	Roadworks Simple
<i>ASFINAG Branding</i>	YES/NO
<i>Service Level</i>	Best Effort
<i>Performance Level</i>	Latency < 1 minute
<i>LOS Precision Level</i>	< 5 km


The EIP ADVANCED Package has the same DATA_ITEMS as the EIP ENHANCED Package but comes with higher Service and Quality Levels.

Selection of the ASFINAG Branding Level influences the pricing. Refer to „6 Price List“.

Refer to Appendix B for the applicable Service and Quality Levels.

3 CONTENT CATALOG

ASFINAG calls the data types which can be retrieved from ist data interface „DATA_ITEMS“.

A description of the content of a DATA_ITEM and all of its sub categories is listed in this catalogue. „“ denotes special ASFINAG features.

Refer to „APPENDIX B Data Sheet“ for a DATA_ITEM’s technical details.

3.1 DATA_ITEM Points Of Interest

POI ASFINAG Sites

List of all ASFINAG control centers and all ASFINAG maintenance centers on the complete Austrian highway network

POI Highways

List of all highways on the complete Austrian highway network

POI Highway Sections

List of all sections of all highways on the complete Austrian highway network

POI Junctions

List of all junctions on the complete Austrian highway network with position

POI Rest Areas

List of all rest areas on the complete Austrian highway network with details

POI Tunnels

List of all tunnels on the complete Austrian highway network with positions and details

3.2 DATA_ITEM Webcams SingleScreen

Webcams SingleScreen

Self-terminating access of all installed ASFINAG webcams on the complete Austrian highway network. The maximum get rate is 1 per second and after 20 seconds the connection is automatically terminated.

Dokument-Nr. 100.800.1012	ASFINAG CONTENT Service Package Catalog	Version: 2.9
------------------------------	--	--------------

3.3 DATA_ITEM Rest Areas

<i>Intelligent Truck Parking</i>	<i>Position of all Rest Areas available on the complete Austrian highway network.</i>
----------------------------------	---

Document-Nr. 100.800.1012	ASFINAG CONTENT Service Package Catalogue	Version: 2.9
------------------------------	--	--------------

3.4 DATA_ITEM Intelligent Truck Parking

Intelligent Truck Parking

Position of all truck parking areas and their free/occupied state where available on the complete Austrian highway network.

Attribute	Value	Interpretation
Accessibility	handicappedAccessible	Accessible for handicapped people.
Parking Security	cctv	Camera observation of entrance and exit. Captured video footage can only be retrieved by court order and is deleted automatically after 48 hours.

3.5 DATA_ITEM Toll

Toll

Position and tolling details of all toll sections on the complete Austrian highway network (contains all Rest Areas)

Document-Nr. 100.800.1012	ASFINAG CONTENT Service Package Catalogue	Version: 2.9
------------------------------	--	--------------

3.6 DATA_ITEM Roadworks Simple

Roadworks Simple

*Position of all current roadworks on
the complete Austrian highway
network*

3.7 DATA_ITEM Webcams CamPic

Webcams CamPic

Webcam access of all installed ASFINAG webcams on the complete Austrian highway network for inclusion in applications.

- 🕒 **582 webcams** can be accessed via the DATA_ITEM, covering the whole Austrian highway network.
- 🕒 Maximum get-rate is 1Hz
- 🕒 No timeout for connection.
- 🕒 GET gets jpeg

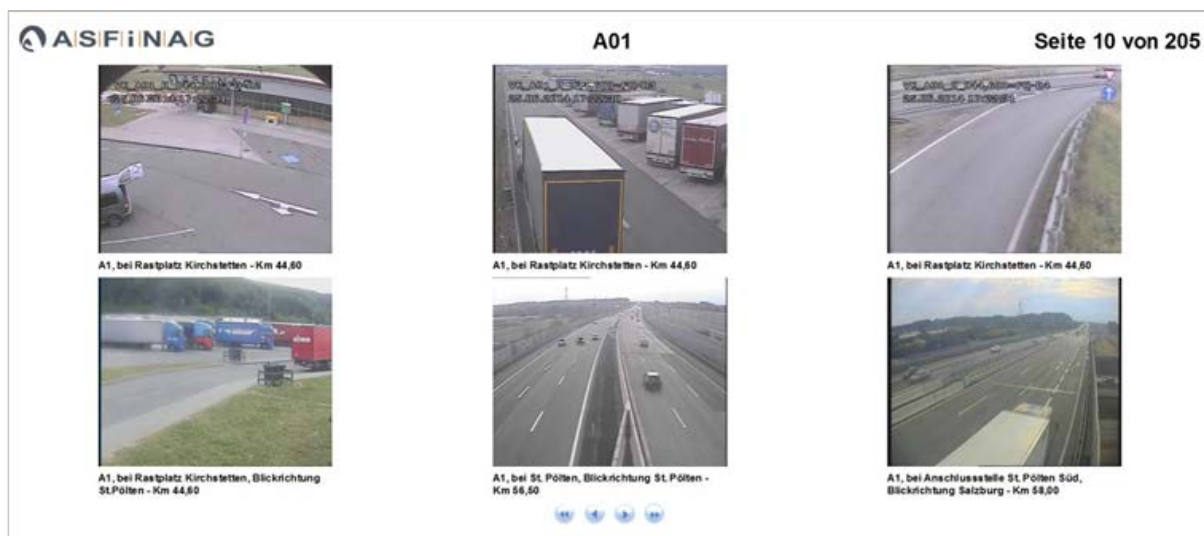
3.8 DATA_ITEM Webcams MultiScreen

Webcams MultiScreen

Webcam access of all Austrian-wide installed ASFINAG webcams in a multi screen format for control center applications.

No timeout.

For the MultiScreen DATA_ITEM, webcams are grouped into geographical units which are automatically scrolled through at set intervals.



- 🕒 **1267 webcams** can be accessed via the DATA_ITEM MultiScreen, covering the whole Austrian highway network. It consists of a pool of 582 anytime accessible cameras, and 685 where the access has to be released by Traffic Management.
- 🕒 **Automated client-side monitoring** makes sure the delivered pictures are up and running at all times, even when no one is watching at the moment.
- 🕒 Requires a minimum of 15 hours for configuration of layout.

3.9 DATA_ITEM Traffic Messages

<i>Block processing</i>	<i>Congestion due to block processing at tunnel entrance or state border</i>
<i>Fire</i>	<i>Outbreak of fire in tunnels</i>
<i>Cargo Loss</i>	<i>Cargo spilt on highway</i>
<i>Vehicle Breakdown</i>	<i>Vehicle impeding traffic</i>
<i>Exceptional Transport</i>	<i>Long vehicle</i>
<i>Weather Alert</i>	<i>Rain, snow, hail, black ice</i>
<i>Accident</i>	<i>Vehicles impeding traffic</i>
<i>Abnormal Traffic</i>	<i>Traffic congestion</i>
<i>System Failure</i>	<i>Tunnel out of order</i>
<i>Planned Maintenance</i>	<i>Tunnel out of order</i>
<i>Height Control</i>	<i>Truck impeding traffic because vehicle height exceeds tunnel entrance</i>
<i>Other</i>	<i>Any other incident reported by an ASFINAG Operator</i>
<i>Wrong Way Driver</i>	<i>Driver in the wrong direction</i>

Any Incident can have an Abnormal Traffic Suffix attached to it:

Type of Abnormal Traffic	German Translation	Driver Impact.
	Schneekettenpflicht	
Slow Traffic	Zähfließender Verkehr	
Queuing Traffic	Wechselseitige Anhaltung	
Queuing Traffic	Blockabfertigung	
Stationary Traffic	Stau	
	Fahrstreifensperre	

Print Date: 21.04.2015

Document Name: ASFINAG CONTENT FRAMEWORK

©2015 ASFINAG Autobahnen- und Schnellstraßen-Finanzierungs-Aktienges. page 20 of 46

3.10 DATA_ITEM Roadworks Detailed

Roadworks Detailed

Position of all current roadworks on the complete Austrian highway network.

Type of roadwork:

Exact details of which lanes are currently open and which are closed.

Enacted speed limit.

Roadwork Phases. Currently only active roadworks are included, but can be expanded for future roadworks up to 1 year in advance.

Details of the traffic impediment are provided in the respective attributes (closed lanes, roadworks duration etc.). The following table gives additional information about the type of impediment to expect.

Type of Roadwork	German Translation	Driver Impact.
3rd Party Works	Bauarbeiten durch Dritte	non specific
Blockage of Ramp	Rampensperre	Total closure of ramp Highway cannot be entered here.
General Roadworks	Sonstige Arbeiten	non specific
General Refurbishment	Generalsanierung	non specific
Grass Cutting	Mäharbeiten	Traffic is impeded by slow moving grass cutting vehicles to the far right or left.
Lane Extension	Anbau Fahrstreifen/Pannestreifen	non specific
Maintenance	Instandsetzung	non specific
Noise Protection Measures	Lärmschutzmaßnahmen	non specific
Reconstruction	Neubau, Umbau	non specific
Refurbishment	Kleinflächensanierung	non specific
Safety Expansion	Sicherheitsausbau	non specific
Total Road Closure	Totalsperre	Complete block of highway.
Working at Drainage	Entwässerungsarbeiten	non specific
Enhancement of Gantry Equipment	Querschnittserweiterung	non specific
Inspection	Bauwerksprüfung	non specific

Dokument-Nr. 100.800.1012	ASFINAG CONTENT Service Package Catalog	Version: 2.9
------------------------------	--	--------------

Cleaning works	Kehrarbeiten	Traffic is delayed by slow moving cleaning vehicles.
Traffic Regulation at Tunnel Entrances.	Portalregelung Tunnel (wechselweise Sperre)	Traffic is allowed through only from one direction at a time. Expect delay but not a complete stoppage.
Tunnel Washing	Tunnelwäsche	Normally a „Traffic Regulation at Tunnel Entrances“, but could also mean total closure of Tunnel.

Print Date: 21.04.2015

Document Name: ASFINAG CONTENT FRAMEWORK

©2015 ASFINAG Autobahnen- und Schnellstraßen-Finanzierungs-Aktienges. page 22 of 46

3.11 DATA_ITEM Traffic Data

Traffic Data ASFINAG

Real time LOS aggregated from all data available to ASFINAG

Traffic Data VMIS

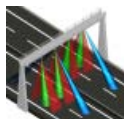
Real time LOS calculated by the VMIS system from the ASFINAG traffic sensor system installed on the complete Austrian highway network

The Traffic Data ASFINAG (Level-of-Service calculated by ASFINAG) is a unique aggregation of all available traffic data calculated for the complete Austrian highway system, which offers an exceptional high level of trustworthiness:

- Ⓐ **Data is measured and calculated independently by several separate systems**, most notably the Traffic Data VMIS, and then aggregated by an ASFINAG own algorithm
- Ⓐ The **results from the separate systems are displayed alongside each other** on the displays of ASFINAG operators so that the additional human verification further adds to the data quality.
- Ⓐ ASFINAG installs **state-of-the-art traffic detection technology** for Traffic Data VMIS



Inductive Loop traffic counters



Overhead Sensors with triple technology – Radar, Infrared, Supersonic

3.12 DATA_ITEM Traffic Signs

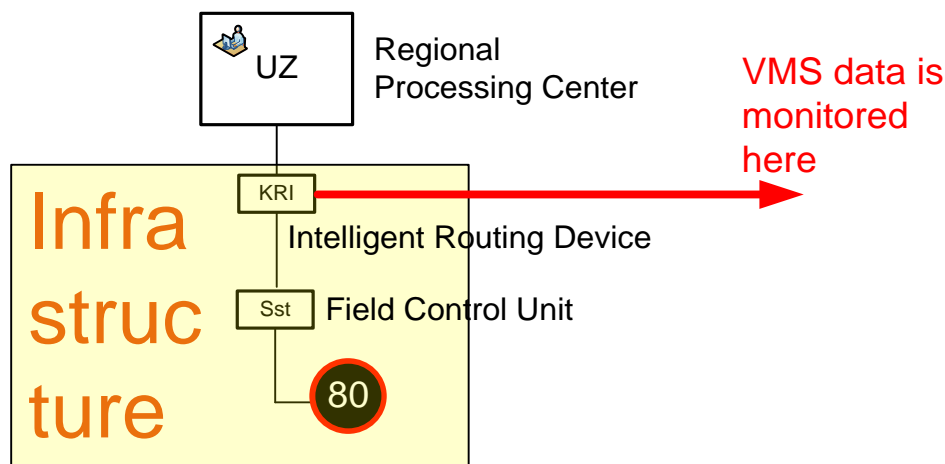
WVZ

Real time display states for VMS with speed limit, warning and cross-arrow-signs for all such VMS on the complete Austrian highway network

WTA

Real time display states for VMS with freely programmable texts for all such VMS on the complete Austrian highway network

- Ⓐ **Exceptional low delay time** is achieved by reading the directly from the sensor infrastructure. The figure below shows the data being read from the „KRI“ intelligent routing device even before it reaches the central data processing centers „UZ“:



- Ⓐ **Data quality assurance** is achieved by monitoring the response telegram from the VMS, verifying that it has really switched.

WVZ and WTA are german abbreviations for VMS (Variable Message Signs).

For details please refer to „APPENDIX B ASFINAG Managed Data Sources – VMIS ASFINAG Traffic Management System“.

4 Quality and Service Levels

The Quality and Service Levels of the chosen package are contained in the AGB (Terms and Conditions) in chapter 7.

5 ASFINAG Branding

ASFINAG invests heavily in the acquisition of all relevant traffic data on Austria's highway system and is interested in gaining return on interest by building up prestige amongst highway operators across Europe. To this end, ASFINAG considers branding data from ASFINAG sources with the ASFINAG logo an important contribution.



An enhanced version of branding is actively promoting ASFINAG in connection with the presentation of those data where an ASFINAG source is involved. See Appendix D Pricing for details.

6 AGB für ASFINAG CONTENT FREE Package

6.1 Definitionen

In dieser Vereinbarung haben die folgenden Begriffe die folgenden Bedeutungen, soweit nicht ausdrücklich abweichend vereinbart.

ASFINAG CONTENT

Alle verkehrsrelevanten Daten der ASFINAG werden auf einer ASFINAG- eigenen Datendrehscheibe (Datenbank) in Echtzeit vorgehalten und, ebenfalls in Echtzeit, auf dem ASFINAG CONTENT Portal veröffentlicht.

ASFINAG CONTENT Basic Package

Eine Vertragsvariante zum Bezug von Daten des ASFINAG CONTENT. Diese Variante erfordert keinen telefonischen Kontakt des Datenbeziehers mit ASFINAG-Mitarbeitern, sondern ist gänzlich über das Selfcare-Portal ASFINAG CONTENT Portal abschließbar.

ASFINAG CONTENT Portal

Webportal für den Zugriff auf den ASFINAG CONTENT.

6.2 Präambel

- (1) Der Datenanbieter ASFINAG hat mit dem ASFINAG CONTENT Basic Package zum Ziel, verkehrsrelevante Online-Daten für Datenabnehmer diskriminierungsfrei an einer standardisierten Schnittstelle bereitzustellen. Dadurch ermöglicht ASFINAG seinen Nutzern das Abonnieren verkehrsrelevanter Online-Daten, ohne dass eine langwierige Suche nach den relevanten Daten und eine aufwendige technische und organisatorische bilaterale Abstimmung zwischen Datenabnehmern und ASFINAG notwendig werden. Im Ergebnis sollen so die Potentiale der bei der ASFINAG vorhandener Datenquellen erschlossen werden.
- (2) Um einen fairen und sicheren Datentransfer und Informationsfluss über das ASFINAG CONTENT Portal zu gewährleisten, gelten für die Benutzung des ASFINAG CONTENT Basic Package die nachstehenden allgemeinen Geschäftsbedingungen/ Nutzungsbedingungen.

6.3 Leistungsbeschreibung

- (1) Das ASFINAG CONTENT Portal hat die Funktion eines Datenverteilers und unterstützt als solcher den Online-Datenfluss weicher Echtzeitdaten nach dem Publish-Subscribe-Muster. Dabei übernimmt das ASFINAG CONTENT Portal keine fachtechnischen Funktionen, sondern dient lediglich als „Rohdatenübermittler“ zu Datenabnehmern. Es findet keine Persistierung,

Filterung oder Konvertierung der Daten statt. Die Daten werden auf dem ASFINAG CONTENT Portal in ihrer jeweils aktuellsten Version, die ASFINAG eingestellt hat, gepuffert und bei Abruf an den Datenabnehmer in Inhalt und Struktur unverändert weitergereicht.

- (2) Das ASFINAG CONTENT Portal hält für seine Nutzer auch eine interaktive Webseite zum Abonnieren von Daten vor. In diesem sog. Metadatenverzeichnis ist beschrieben, welche Daten über das ASFINAG CONTENT Portal bezogen werden können.
- (3) ASFINAG selbst wird vor diesem Hintergrund Vertragspartner der zwischen dem ASFINAG und dem Datenabnehmer (Nutzern) zu schließenden Datenüberlassungsverträgen.

6.4 Gegenstand und Umfang des Nutzungsvertrages

- (1) ASFINAG stellt den Nutzern die Funktionalitäten des ASFINAG CONTENT Basic Package im Zeitraum bis auf Widerruf unentgeltlich zur Verfügung.
- (2) Der Anspruch auf Nutzung des ASFINAG CONTENT Basic Package und seiner Funktionen besteht lediglich im Rahmen des aktuellen Stands der Technik. Das ASFINAG CONTENT Basic Package unterstützt in seiner aktuellen Ausprägung Formate und Schnittstellenspezifikationen gemäß des Standards DATEX II. Zum anderen bietet der ASFINAG CONTENT Basic Package nach eigenem Ermessen einzelne Datenarten zusätzlich in anderen Formaten, an. Veränderungen und Anpassungen der Schnittstelle liegen ausschließlich im Ermessen der ASFINAG und unterliegen keinerlei Haftungsbedingungen.
- (3) Die Funktionalitäten des ASFINAG CONTENT Basic Package werden teilweise beschränkt, wenn dies im Hinblick auf Kapazitätsgrenzen, die Sicherheit oder die Integrität der Server oder zur Durchführung technischer Maßnahmen (Wartungsarbeiten) erforderlich ist..
- (4) Die Nutzung des ASFINAG CONTENT Basic Package ist nur zum Zweck des Austauschs von verkehrs-relevanten Daten aus dem Bereich des Individualverkehrs, deren Angebot, Vertrieb oder Erwerb nicht gegen gesetzliche Vorschriften und diese Grundsätze verstoßen, zulässig. Eine Nutzung des ASFINAG CONTENT Basic Package für den Austausch anderer als der beschriebenen Daten ist nicht gestattet.

6.5 Rechte und Pflichten von ASFINAG

- (1) ASFINAG hat technische und organisatorische Vorkehrungen getroffen, um die Funktionalitäten ASFINAG CONTENT Basic Package den Nutzern im Rahmen der vereinbarten Service Level zur Verfügung zu stellen. Die Service Level sind in ihren aktuellen Versionen in Anlage 1 zu dieser Nutzungsvereinbarung beschrieben und gelten in ihrer jeweils vom ASFINAG veröffentlichten Fassung. ASFINAG übernimmt keine Gewähr dafür, dass die Webseite des ASFINAG CONTENT Portals oder der Server, die sie verfügbar macht, frei von Schad-Software, Software-Fehlern oder ähnlichen Defekten

Document-Nr. 100.800.1012	ASFINAG CONTENT Service Package Catalogue	Version: 2.9
------------------------------	--	--------------

sind.

- (2) ASFINAG bemüht sich sicherzustellen, dass der Inhalt der Webseite (Metadatenverzeichnis) richtig und auf dem neuesten Stand ist. Für die Zuverlässigkeit, Richtigkeit oder Vollständigkeit der Informationen kann jedoch keine Gewähr übernommen werden.
- (3) ASFINAG haftet für Schäden nur, wenn und soweit ihr, ihren gesetzlichen Vertretern, leitenden Angestellten oder sonstigen Erfüllungsgehilfen Vorsatz oder grobe Fahrlässigkeit zur Last fällt.
- (4) Die vorgenannten Haftungsausschlüsse und Beschränkungen gelten nicht für Schäden aus der Verletzung des Lebens, des Körpers oder der Gesundheit sowie im Fall zwingender gesetzlicher Regelungen.
- (5) Für den Fall, dass ein unvorhergesehener Systemausfall das Anbieten, Suchen und Abonnieren von Daten behindert, wird sich der Betreiber bemühen, auftretende Störungen im Rahmen seiner üblichen Arbeitszeit und Kapazität zu beheben, so dass die Nutzung sämtlicher Funktionalitäten möglichst in Kürze wieder gewährleistet werden kann. Zudem werden seitens des Betreibers entsprechende Informationen veröffentlicht.
- (6) Neben unvorhergesehenen Systemausfällen gibt es planmäßige und angekündigte Wartungszeiten, in denen bestimmte Funktionalitäten des ASFINAG CONTENT Basic Package nicht verfügbar sind. Für diese regelmäßige Wartungszeit kommt eine Haftung seitens ASFINAG nicht in Betracht.
- (7) Zur Nutzung der Funktionen des ASFINAG CONTENT Basic Package muss der Nutzer einen Registrierungsprozess auf dem ASFINAG CONTENT Portal durchlaufen, in dessen Verlauf organisations- und personenbezogene Daten erhoben werden. Der Nutzer des ASFINAG CONTENT Portal stimmt der Speicherung der Daten zu Betriebszwecken des ASFINAG CONTENT Portals zu. Dem Nutzer ist bekannt, dass alle relevanten Aktionen des ASFINAG CONTENT Portal, insbesondere das Einstellen und Datenangeboten sowie die Subskription von Daten, unter Bezug auf den jeweiligen Anwender des Nutzers personenbezogen protokolliert werden. ASFINAG wird dafür Sorge tragen, dass personenbezogene Daten, sobald sie für den Portalbetrieb mit seinen Dokumentationserfordernissen nicht mehr benötigt werden, schnellstmöglich, spätestens jedoch nach Ablauf von 12 Monaten vernichtet werden. Gesetzliche Aufbewahrungsfristen bleiben hiervon unberührt.
- (8) ASFINAG ist berechtigt, dem Nutzer bei gravierenden Verstößen gegen die Nutzungsvereinbarung die Nutzung des ASFINAG CONTENT Package ganz und zeitweilig zu untersagen und die Nutzungsmöglichkeiten technisch zu unterbinden.

6.6 Rechte und Pflichten der Nutzer

- (1) Die Nutzer verpflichten sich, bei der Inanspruchnahme der Funktionalitäten des ASFINAG CONTENT Basic Package die geltenden Gesetze zu befolgen. Es liegt in der Verantwortung eines jeden Nutzers, sicherzustellen, dass die von ihm angebotenen und überlassenen Dateninhalte rechtmäßig sind und keine Rechte Dritter verletzen.
- (2) Der Nutzer stimmt den in Anlage 1 gelisteten Service Levels des ASFINAG CONTENT Basic Package zu.
- (3) ASFINAG wird im Rahmen seiner Möglichkeiten Qualität und Richtigkeit der Daten sicherstellen, insbesondere in semantischer und syntaktischer Hinsicht.
- (4) Der Datenabnehmer verpflichtet sich, bei Auslieferungsvorgängen von Daten, die durch ihn selbst initiiert werden, die vereinbarten Abholfrequenzen einzuhalten und im Regelfall nur einmal im vereinbarten Intervall Daten abzurufen.
- (5) Sofern ASFINAG seine Datenlieferung unterbrechen möchte (z. B. zu Wartungszwecken in der eigenen Infrastruktur), wird sie diese Unterbrechung mit dem auf dem ASFINAG CONTENT Portal vorhandenen Mechanismen seinen Abonnenten ankündigen.
- (6) Der Nutzer wird die von ASFINAG zur Verfügung gestellten Zugangsschlüssel für Personen und Maschinen sicher aufbewahren und vor unbefugter Nutzung Dritter schützen. Sofern Schlüssel und Zertifikate nicht mehr benötigt werden, wird der Nutzer ASFINAG umgehend zwecks Sperrung informieren.
- (7) ASFINAG wird im Rahmen ihrer technischen Möglichkeiten sicherstellen, dass die von ihr über das ASFINAG CONTENT Basic Package ausgelieferten Daten frei von Schadsoftware sind.
- (8) Der Nutzer wird die bereitgestellten Kommunikationsdienste weder zur Verbreitung noch zum Abruf rechts- und sittenwidriger Informationen nutzen.

6.7 Urheberrecht

- (1) Die Inhalte der Webseiten des ASFINAG CONTENT Portals sind urheberrechtlich geschützt. Die Speicherung und Vervielfältigung von Texten (ganz oder ausschnittsweise), Bildmaterial oder Grafiken aus diesen

Webseiten ist nicht gestattet. Dies ist nur soweit zulässig, als dies für die übliche Benutzung erforderlich ist.

- (2) Jede darüber hinausgehende Nutzung, Bearbeitung, Vervielfältigung, Verbreitung und/oder öffentliche Wiedergabe, insbesondere die ungenehmigte Übernahme in ein Internet-/Intranetangebot, überschreitet die normale Benutzung und stellt einen Urheberrechtsverstoß dar.
- (3) Alle Rechte sind vorbehalten.
- (4) Alle anderen auf den Webseiten des ASFINAG CONTENT Portal zitierten Warenzeichen, Produktnamen und Firmennamen bzw. -Logos stehen im Alleineigentum der jeweiligen Besitzer.

6.8 Änderungen der Nutzungsbedingungen

ASFINAG behält sich das Recht vor, die Nutzungsbedingungen jederzeit abzuändern. Ein ausdrücklicher Hinweis auf die Änderung der Nutzungsbedingungen erfolgt.

7 AGB für BASIC und PREMIUM Packages

7.1 Definitionen

In dieser Vereinbarung haben die folgenden Begriffe die folgenden Bedeutungen, soweit nicht ausdrücklich abweichend vereinbart:

„**Anfangslaufzeit**“ bezeichnet den Zeitraum, der als „Anfangslaufzeit“ in der Übersicht über wichtige Bestimmungen bezeichnet wird.

„**Erstlieferung**“ hat die Bedeutung, die diesem Begriff in Ziffer 3.1 beigemessen wird.

„**Gewerbliche Schutzrechte**“ bezeichnet alle Urheberrechte, Persönlichkeitsrechte, Patentrechte, Marken, Geschmacksmuster, Gebrauchsmuster, Halbleiterschutzrechte, Rechte an oder in Bezug auf Datenbanken, Rechte an oder in Bezug auf Computerprogramme (Software), Rechte an oder in Bezug auf vertrauliche Informationen, Know-How und/oder Geschäfts- und Betriebsgeheimnisse, Rechte an oder in Bezug auf Domainnamen und jegliche sonstigen gewerblichen Schutzrechte (eingetragen oder nicht eingetragen, bestehend oder noch entstehend) überall auf der Welt, einschließlich Anwartschaften und Rechten an Anmeldungen oder bevorstehenden Eintragungen.

„**Lizenznehmer Dienste**“ bezeichnet alle Produkte, Dienste und/oder Technologien (einschließlich API), die vom Lizenznehmer und/oder einem mit dem Lizenznehmer verbundenen Unternehmen entwickelt und/oder betrieben werden.

„**Lizenznehmer Werke**“ bezeichnet (a) alle neuen oder abgeleiteten Werke oder sonstigen gewerblichen Schutzrechte, die auf Grundlage des lizenzierten Contents entwickelt wurden oder entstehen, einschließlich (b) aller Anpassungen und/oder sonstigen Umarbeitungen des lizenzierten Contents und (c) aller Änderungen, Bearbeitungen, Übersetzungen, Entwicklungen, Erweiterungen und/oder sonstige Umgestaltungen des lizenzierten Contents, die gemäß Ziffer 2.2.1 vorgenommen wurden.

„**Lizenzierter Content**“ bezeichnet (a) sämtliche in Anlage A aufgeführten Inhalte; (b) alle Inhalte, die der Lizenznehmer vom Lizenzgeber unter dieser Vereinbarung zur Verfügung gestellt werden (mit Ausnahme der Inhalte, die der Lizenznehmer vom Lizenzgeber gesondert unter einer anderen Vereinbarung oder unabhängig von dieser Vereinbarung zur Verfügung gestellt werden) und (c) sämtliche dem Lizenznehmer vom Lizenzgeber zur Verfügung gestellten Updates zu den Inhalten, wie unter (a) und (b) beschrieben.

„**Update Zeitraum**“ bezeichnet den Zeitraum, der als „Update Zeitraum“ in der Übersicht über wichtige Bestimmungen benannt ist.

„**Updates**“ bezeichnet alle Updates, Aktualisierungen, Berichtigungen und sonstigen Modifikationen in Bezug auf den lizenzierten Content.

„**Verbundenes Unternehmen**“ bezeichnet (a) jede Muttergesellschaft einer Partei; sowie (b) jede Gesellschaft, welche eine Partei direkt oder indirekt kontrolliert oder von welcher eine Partei direkt oder indirekt kontrolliert wird.

„**Vergütung**“ bezeichnet die in der Übersicht über wichtige Bestimmungen genannten Beträge.

„**Vertrauliche Informationen**“ sind Informationen einschließlich Geschäfts- und Betriebsgeheimnissen, die durch oder auf Anweisung einer Partei der anderen Partei unter oder im Zusammenhang mit dieser Vereinbarung offenlegt werden, die als vertraulich gekennzeichnet sind oder die nach ihrer Art, ihrem Inhalt oder den Umständen, unter denen sie offenbart werden, vernünftigerweise als vertraulich anzusehen sind. Dies umfasst nicht solche Informationen, die dem Empfänger bereits bekannt waren, die ohne Verschulden des Empfängers öffentlich bekannt werden, die vom Empfänger unabhängig entwickelt wurden oder die dem Empfänger rechtmäßig durch eine dritte Partei offenbart worden sind.

„**Vertriebspartner**“ bezeichnet einen Dritten, mit dem der Lizenznehmer und/oder ein mit dem Lizenznehmer verbundenes Unternehmen einen Vertrag (gleich in welcher Form) hat, die den Dritten berechtigt, Lizenznehmer Dienste intern zu nutzen oder Lizenznehmer Dienste gegenüber Endnutzern zu erbringen oder gegenüber diesen darzustellen.

„**Zeitpunkt des Inkrafttretens**“ bezeichnet den Zeitpunkt, der in der Übersicht über wichtige Bestimmungen unter „Zeitpunkt des Inkrafttretens“ genannt ist.

7.2 Lizenzierter Content

7.2.1 Lizenz

Der Lizenzgeber ermächtigt den Lizenznehmer bzw. räumt dem Lizenznehmer eine nicht-exklusive, weltweite, unterlizenzierbare Lizenz ein, den lizenzierten Content ganz oder teilweise im Zusammenhang mit Lizenznehmer Diensten auf alle Nutzungsarten (gleich ob bekannt oder unbekannt) kommerziell oder nicht-kommerziell, körperlich wie unkörperlich zu nutzen, wie insbesondere den lizenzierten Content ganz oder teilweise (a) zu hosten, speichern, vervielfältigen, verbreiten (einschließlich Vermietung/Verleih), auszustellen, aufzuführen oder sonst öffentlich wiederzugeben (insbesondere öffentlich zugänglich zu machen, zu senden) und auf sonstige Weise zu nutzen; (b) zu ändern, anzupassen, weiterzuentwickeln, zu bearbeiten, umzugestalten und umzuarbeiten (einschließlich des Rechts zur Übersetzung und Transcodierung, Dekompilierung, Disassemblierung, Reassemblierung und Emulation), abgeleitete und/oder neue Werke in Ableitung und/oder auf Grundlage des lizenzierten Contents oder Teilen davon herzustellen, zu nutzen, zu veröffentlichen und zu verwerten; (c) den lizenzierten Content oder Teile davon mit anderen Inhalten zu kombinieren und in Verbindung mit sämtlichen anderen Inhalten zu nutzen und (d) die unter dieser Vereinbarung eingeräumten Rechte an Endnutzer, an mit dem Lizenznehmer verbundene Unternehmen und Vertriebspartner unterzulizenzieren. Der Lizenznehmer wird den lizenzierten Content ausschließlich in Zusammenhang mit Lizenznehmer Diensten an Vertriebspartner oder Endnutzer vertreiben und Unterlizenzen nur insoweit erteilen, als dies im Zusammenhang mit der Nutzung, Hosting, Verbreitung, Änderung, Anpassung oder Weiterentwicklung der Lizenznehmer Dienste erforderlich ist. Dem Lizenznehmer ist es untersagt den Lizenzierten Content an Dritte (dazu zählen nicht verbundene Unternehmen vom Lizenznehmer) selbständig und in seiner ursprünglichen, unmodifizierten Form zu veräußern, übereignen oder unterzulizenzieren.

Alle unter dieser Lizenz gewährten Rechte werden gewährt auf Grundlage des Urheberrechts an den ASFINAG Verkehrsinformationen, und sie sind unwiderruflich,

Dokument-Nr. 100.800.1012	ASFINAG CONTENT Service Package Catalog	Version: 2.9
------------------------------	--	--------------

solange die festgelegten Bedingungen erfüllt sind. Diese Lizenz erklärt ausdrücklich Ihr uneingeschränktes Recht zur Verwendung der unmodifizierten ASFINAG Verkehrsinformationen. Die beim Ausführen eines betroffenen Werks erzeugten Ausgabedaten fallen unter diese Lizenz nur dann, wenn sie, in Anbetracht ihres Inhalts, ein betroffenes Werk darstellen. Diese Lizenz erkennt Ihr im Urheberrecht vorgesehenes Recht auf angemessene Benutzung – oder seine Entsprechung – an.

7.2.2 Rechte des Lizenznehmers.

Diese Vereinbarung schränkt den Lizenznehmer nicht ein, Inhalte zu nutzen, die der Lizenznehmer anderweitig erhält. Diese Vereinbarung verpflichtet den Lizenznehmer nicht dazu, den lizenzierten Content ganz oder teilweise in Lizenznehmer-Diensten zu verwenden. Der Lizenznehmer und deren sonstige Lizenzgeber behalten alle gewerblichen Schutzrechte an den Lizenznehmer-Diensten und den gesamten – anderen als dem lizenzierten Content – Inhalten, die durch Lizenznehmer-Dienste gesammelt oder in Verbindung mit den Lizenznehmer-Diensten genutzt wurden.

7.2.3 Rechte des Lizenzgebers.

Der Lizenzgeber ist alleiniger Rechtsinhaber aller gewerblichen Schutzrechte am lizenzierten Content.

7.2.4 Lizenznehmer Werke.

Die gewerblichen Schutzrechte an Lizenznehmer-Werken stehen allein dem Lizenznehmer zu. Soweit und in dem Umfang, wie dem Lizenzgeber etwaige gewerbliche Schutzrechte an jeglichen Lizenznehmer Werken sonst zustünden, überträgt der Lizenzgeber hiermit alle diese gewerblichen Schutzrechte auf den Lizenznehmer.

7.2.5 Unveränderte Kopien

Sie dürfen auf beliebigen Medien unveränderte Kopien der ASFINAG Verkehrsinformationen, wie sie diese erhalten, übertragen, sofern Sie auf deutliche und angemessene Weise auf jeder Kopie einen angemessenen Urheberrechts-Vermerk veröffentlichen, alle Hinweise intakt lassen, dass diese Lizenz und sämtliche gemäß §7 hinzugefügten Einschränkungen auf die ASFINAG Verkehrsinformationen anwendbar sind, alle Hinweise auf das Nichtvorhandensein einer Garantie intakt lassen und allen Empfängern gemeinsam mit dem Programm ein Exemplar dieser Lizenz zukommen lassen.

Sie dürfen für jede übertragene Kopie eine einmalige Installationsgebühr verlangen, und Sie dürfen Kundendienst- oder Garantieleistungen gegen Entgelt anbieten.

7.3 Lieferung, Annahme und Updates

7.3.1 Lieferung

Innerhalb von 14 Tagen nach dem Zeitpunkt des Inkrafttretens wird der Lizenzgeber den Lizenznehmer den in Anlage A aufgeführten lizenzierten Content in Übereinstimmung mit den technischen Anforderungen von Lizenznehmer (einschließlich der in Anlage A bezeichneten Anforderungen) und unter Nutzung der Liefermethode, die von Lizenznehmer benannt wird, zur Verfügung stellen („Erstlieferung“).

7.3.2 Annahme

Ohne Beschränkung von Rechten und Rechtsbehelfen des Lizenznehmers unter diesem Vertrag oder nach dem Gesetz, wird der Lizenznehmer – soweit nach Ansicht des Lizenznehmers der Lizenzgeber die Anforderungen dieser Vereinbarung, insbesondere aus Ziffer 5 in Bezug auf die Erstlieferung nicht erfüllt und/oder die Lieferung des Lizenzgebers nicht zur vertraglich vorausgesetzten oder zur gewöhnlichen Verwendung geeignet ist – dem Lizenzgeber dies mitteilen, und zwar entweder (a) 30 Tage nachdem die Erstlieferung dem Lizenznehmer bereitgestellt wurde oder (b) 30 Tage nach dem Zeitpunkt des Inkrafttretens, je nachdem, welcher Zeitpunkt später eintritt („Annahmefrist“). Der Lizenznehmer kann dann (i) die Erstlieferung ganz oder teilweise zurückweisen und die Annahme verweigern und/oder (ii) vom Lizenzgeber verlangen, dass dieser die Erstlieferung so ändert, dass der Lizenzgeber die Anforderungen aus dieser Vereinbarung, insbesondere aus Ziffer 5 erfüllt. Der Lizenzgeber ist verpflichtet, die vom Lizenznehmer unter dieser Ziffer verlangten Änderungen innerhalb von 30 Tagen ab dem erstmaligem Änderungsverlangen des Lizenznehmers zu vollenden. Sobald die Änderungen vollendet sind, wird der Lizenzgeber den entsprechenden Teil der Erstlieferung erneut an den Lizenznehmer liefern und diese Ziffer findet erneut Anwendung. Die Erstlieferung gilt innerhalb der Annahmefrist nur und erst dann als von Lizenznehmer angenommen, wenn der Lizenznehmer dem Lizenzgeber die Annahme schriftlich mitteilt.

7.3.3 Updates (Rahmenlieferung)

Soweit in der Übersicht über wichtige Bestimmungen festgelegt ist, dass der Lizenzgeber:

- a) Updates automatisch zur Verfügung stellt, ist der Lizenzgeber während des Update Zeitraums verpflichtet, Lizenznehmer die Updates zum lizenzierten Content in dem Rhythmus und/oder an den Zeitpunkten, wie in der Übersicht über wichtige Bestimmungen spezifiziert, zur Verfügung zu stellen; oder
- b) Updates auf Anforderung des Lizenznehmers zur Verfügung stellt, ist der Lizenzgeber während des Update Zeitraums verpflichtet, dem Lizenznehmer Updates zum lizenzierten Content – soweit lieferbar – auf Anfrage von Lizenznehmer zur Verfügung zu stellen.

Der Lizenzgeber wird dem Lizenznehmer jedes lieferbare Update des lizenzierten Contents im Wege der jeweils von Lizenznehmer benannten Methode liefern. Sobald Lizenznehmer ein Update zur Verfügung gestellt wird, gilt ein Update als Teil des lizenzierten Contents und insbesondere (i) werden die Updates gemäß Ziffer 2 an Lizenznehmer lizenziert, (ii) soweit gemäß der Übersicht über wichtige Bestimmungen eine Annahme der Updates durch Lizenznehmer vereinbart ist, findet Ziffer 3.2 auf die Lieferung der jeweiligen Updates in gleicher Weise Anwendung wie auf die Erstlieferung, unter der Maßgabe, dass sich die Rechtsfolgen im Falle einer Weigerung der Annahme durch Lizenznehmer nur auf die Lieferung der entsprechenden Updates bezieht und (iii) gelten die Garantie- und Haftungsvorschriften der Ziffern 5 und 6. Der Lizenzgeber stellt sicher, dass der Lizenznehmer im Wege von Updates zur Verfügung gestellte lizenzierte Content nicht von geringerer Qualität und geringerem Umfang sein wird als die Erstlieferung, die von Lizenznehmer akzeptiert worden ist.

7.4 Vergütung

7.4.1 Vergütung

Der Lizenzgeber wird dem Lizenznehmer die Vergütung in Übereinstimmung mit dem Zeitplan in der Übersicht über wichtige Bestimmungen in Rechnung stellen.

Der Lizenznehmer wird richtige und unbestrittene Rechnungen innerhalb von 30 Tagen nach Erhalt zahlen. Die Vergütung wird in der Übersicht über wichtige Bestimmungen angegebenen Währung bezahlt oder – soweit eine Währung nicht spezifiziert ist – in EUR. Soweit der Lizenznehmer mit der Zahlung von in Übereinstimmung mit dieser Vereinbarung in Rechnung gestellten Gebühren in Verzug kommt, kann der Lizenzgeber ab dem Zeitpunkt des Verzuges in Bezug auf fällige Gebühren Zinsen in Höhe von 5 Prozentpunkten über dem jeweils geltenden Basiszinssatz (p.a.) verlangen.

7.4.2 Die Gebühren

Die Gebühren enthalten alle Steuern und anderen Beträge, die vom Lizenznehmer zu zahlen sind, mit Ausnahme der Umsatzsteuer. Der Lizenznehmer wird, nach Erhalt einer gültigen Umsatzsteuerrechnung des Lizenzgebers, dem Lizenzgeber denjenigen zusätzlichen Betrag in Bezug auf die Umsatzsteuer zahlen, die für die Lieferung des lizenzierten Contents berechnet werden kann. Soweit das anwendbare Recht vorschreibt hinsichtlich einer unter dieser Vereinbarung zu zahlenden Summe Steuern zurückzuhalten oder zurückgehaltene Steuern zu zahlen, ist Der Lizenznehmer berechtigt, diese Beträge von den Beträgen abzuziehen, die der Der Lizenznehmer dem Lizenzgeber zu zahlen hat.

7.5 Garantien

7.5.1 Rechte

Unbeschadet der gesetzlichen Vorschriften zu Mängelrechten sichert der Lizenzgeber zu, dass er (a) über alle erforderlichen Rechte, Lizenzen und Genehmigungen zur Einräumung der Lizenzen gemäß Ziffer 2.1 verfügt und verfügen wird und (b) dass er den lizenzierten Content mit angemessener Sorgfalt Sachverstand zusammengestellt hat und künftig zusammenstellen wird.

7.5.2 Content

Der Lizenzgeber sichert weiter zu, dass der lizenzierte Content:

- a) in allen wesentlichen Belangen mit den in Anlage A und an anderer Stellen in dieser Vereinbarung aufgeführten Spezifikationen übereinstimmt;
- b) nicht von geringerer Qualität und Menge ist, als entsprechende Inhalte, die der Lizenzgeber auf seiner eigenen Internetseite öffentlich oder seinen anderen Kunden zugänglich macht;
- c) frei ist von erheblichen Ungenauigkeiten;
- d) keine Viren, Würmer, trojanische Pferde oder andere ähnliche schädliche Komponenten enthält;
- e) die URLs, soweit der lizenzierte Content URLs enthält, unmittelbar auf eine im Hinblick auf den lizenzierten Content relevante Internetseite verlinken, ohne dass dabei neue Fenster gestartet werden; und
- f) keine Persönlichkeitsrechte oder Rechtsvorschriften oder Verhaltensregeln bezüglich der Nutzung von persönlichen Daten; und
- g) keine sonstigen Gesetze oder Rechtsvorschriften (z.B. sicherheitsrelevante oder katasterrechtliche Vorschriften) verletzt.

7.5.3 Qualität

Die für jedes Service Package garantierten Qualitätsparameter sind in Appendix D definiert.

7.6 Freistellungsverpflichtung

7.6.1 Ansprüchen Dritter

Der Lizenzgeber wird dem Lizenznehmer von jeglichen Schäden oder Ansprüchen Dritter, einschließlich Kosten der Rechtsverteidigung, freistellen, die dem Lizenznehmer aus einer Verletzung der vorstehenden Garantien (Ziffer 5) resultieren. Von dieser Freistellung sind auch Fälle erfasst, in denen die vertragsgemäße Nutzung des lizenzierten Contents durch den Lizenznehmer, seine verbundenen Unternehmen, Vertriebspartner oder einen Endnutzer

Dokument-Nr. 100.800.1012	ASFINAG CONTENT Service Package Catalog	Version: 2.9
------------------------------	--	--------------

gewerbliche Schutzrechte von Dritten verletzen. Damit diese Freistellungsverpflichtung in Bezug auf einen bestimmten Anspruch zur Anwendung kommt, wird der Lizenznehmer (i) den Lizenzgeber über einen geltend gemachten Anspruch informieren und (ii) dem Lizenzgeber angemessene Informationen übermitteln, sowie ggf. Unterstützung und Kooperation bei der Verteidigung gegen den Anspruch leisten. Die sonstigen Rechte und Ansprüche von Der Lizenznehmer bleiben hiervon unberührt.

7.6.2 Schäden und Ansprüchen Dritter

Der Lizenzgeber wird zudem auch jedes mit dem Lizenznehmer verbundene Unternehmen und jeden Vertriebspartner („sonst freigestellte Personen“) von jeglichen Schäden oder Ansprüchen Dritter, einschließlich Kosten der Rechtsverteidigung, freistellen, die aus einer Verletzung der vorstehenden Garantien (Ziffer 5) resultieren. Von dieser Freistellung sind auch Fälle erfasst, in denen die vertragsgemäße Nutzung des lizenzierten Contents durch Der Lizenznehmer, seine verbundenen Unternehmen, Vertriebspartner oder einen Endnutzer gewerbliche Schutzrechte von Dritten verletzen. Damit diese Freistellungsverpflichtung in Bezug auf einen bestimmten Anspruch zur Anwendung kommt, wird Der Lizenznehmer oder eine sonst freigestellte Person (i) den Lizenzgeber über einen geltend gemachten Anspruch informieren und (ii) dem Lizenzgeber angemessene Informationen übermitteln, sowie ggf. Unterstützung und Kooperation bei der Verteidigung gegen den Anspruch leisten.

7.7 Haftung

Document-Nr. 100.800.1012	ASFINAG CONTENT Service Package Catalogue	Version: 2.9
------------------------------	--	--------------

7.8 Geheimhaltung und PR

7.8.1 Geheimhaltung

Der Empfänger einer vertraulichen Information darf diese vertrauliche Informationen nicht offenbaren, außer gegenüber seinen verbundenen Unternehmen, Mitarbeitern und/oder Beratern, die die vertraulichen Informationen benötigen und die schriftlich eine Vertraulichkeitsvereinbarung unterzeichnet haben (oder im Fall von Beratern auf andere Weise einer Vertraulichkeitsverpflichtung unterliegen). Der Empfänger stellt sicher, dass diese Personen und Unternehmen diese vertraulichen Informationen nur insoweit nutzen, als dies zur Ausübung von Rechten und zur Erfüllung von Verpflichtungen unter dieser Vereinbarung erforderlich ist, und wird die vertraulichen Informationen mit angemessener Sorgfalt schützen. Der Empfänger ist zudem berechtigt, vertrauliche Informationen offen zu legen, soweit dies gesetzlich vorgeschrieben ist, sofern er den Informationsgeber hiervon in angemessener Weise benachrichtigt.

7.8.2 PR

Der Lizenzgeber ist nur berechtigt, eine öffentliche Mitteilung im Hinblick auf diese Vereinbarung zu machen, soweit eine solche Mitteilung gesetzlich vorgeschrieben ist und in Einklang mit den vom Lizenznehmer zur Verfügung gestellten Leitlinien zur Öffentlichkeitsarbeit (*Publicity Guidelines*) steht oder der Lizenznehmer vorher schriftlich seine Einwilligung erklärt hat. Soweit geeignete *Publicity Guidelines* nicht erhältlich sind, ist der Lizenzgeber nicht berechtigt, öffentliche Mitteilungen zu machen, solange der Lizenznehmer seine schriftliche Einwilligung zu dieser Mitteilung nicht erteilt hat.

7.9 Laufzeit und Beendigung

7.9.1 Laufzeit

Diese Vereinbarung beginnt mit dem Zeitpunkt des Inkrafttretens und besteht fort für die Anfangslaufzeit und sodann (ggf.) für jeglichen folgenden Erneuerungszeitraum wie in Ziffer 9.2 geregelt.

7.9.2 Verlängerung

Soweit in der Übersicht über wichtige Bestimmungen festgelegt ist, dass diese Vereinbarung sich automatisch verlängert, verlängert sich diese Vereinbarung – einschließlich der Verpflichtung des Lizenzgebers, Updates zur Verfügung zu stellen, soweit der Update Zeitraum fort dauert bis zur Beendigung oder dem Ablauf dieser Vereinbarung – am letzten Tag der Anfangslaufzeit und jedem folgendem Jahrestag dieses Datums automatisch für einen weiteren Zeitraum von je einem Jahr, wenn nicht eine Partei der anderen Partei ihre Absicht, die Vereinbarung nicht zu verlängern, mindestens 90 Tage vor dem Ende des dann laufenden Zeitraums mitteilt.

7.9.3 Kündigung durch den Lizenzgeber oder der Lizenznehmer

Jede Partei kann diese Vereinbarung schriftlich mit sofortiger Wirkung kündigen, wenn eine Partei in schwerwiegender Weise gegen diese Vereinbarung verstößt und den Verstoß nicht innerhalb von 30 Tagen nach Erhalt der schriftlichen Mitteilung der anderen Partei behoben wird, in der die Vertragsverletzung bezeichnet worden ist.

7.9.4 Folgen der Beendigung

Nach dem Ablauf oder der Beendigung dieser Vereinbarung (i) wird der Lizenzgeber dem Lizenznehmer keinen lizenzierten Content mehr zur Verfügung stellen und, soweit anwendbar, dem Lizenznehmer unter Nutzung des in angemessener Weise von dem Lizenznehmer verlangten Liefermechanismus' eine Lieferung ohne Inhalt (*provide an empty feed*) zuleiten, um den lizenzierten Content zu ersetzen; (ii) wird der Lizenzgeber dem Lizenznehmer mitteilen, dass die Vereinbarung abgelaufen oder beendet ist; (iii) behält der Lizenznehmer das Recht, den lizenzierten Content im Zusammenhang mit Diensten des Lizenznehmers für einen Zeitraum von 120 Tagen nach Erhalt dieser Mitteilung zu nutzen, auszuwerten und den Zugang dazu zu gewähren.

7.9.5 Widerruf

In jedem Fall ist der Lizenznehmer, in dem Umfang, in dem lizenzierte Content im Zusammenhang mit Ziffer 2.1 auf festgelegten Datenträgern (*fixed media*) enthalten ist (z.B. DVDs), nicht verpflichtet, diese festgelegten Datenträger zurückzurufen.

Der Ablauf oder die Beendigung dieser Vereinbarung (gleich aus welchem Grund) hat keine Auswirkung auf (A) das Recht des Lizenznehmers Werke (oder Teile davon) zeitlich unbeschränkt zu nutzen, zu vervielfältigen und auszuwerten und (B) die Fortdauer von jeglichen Unterlizenzen, die der Lizenznehmer während der Laufzeit dieser Vereinbarung eingeräumt hat. Die gemäß Ziffer 2.1 eingeräumten Lizenzen bestehen insoweit und so lange fort, als dies erforderlich ist, um dieser Klausel zur Geltung zu verhelfen.

Bei Beendigung dieser Vereinbarung (es sei denn, diese Vereinbarung wird vom Lizenzgeber gekündigt wegen schwerwiegender Vertragsverletzung durch den Lizenznehmer) wird der Lizenzgeber den Lizenznehmer umgehend jegliche vom Lizenznehmer gezahlten Gebühren in Bezug auf den Rest der Laufzeit zurückzahlen, berechnet auf einer täglichen pro-rata Basis.

7.9.6 Das Recht beider Parteien zur Kündigung aus wichtigem Grund bleibt unberührt.

7.10 Sonstige Bestimmungen

7.10.1 Übertragung

Die Parteien sind nicht berechtigt, ohne vorherige schriftliche Einwilligung der anderen Partei seine Rechte oder Pflichten aus dieser Vereinbarung auf Dritte zu übertragen, außer dass der Lizenznehmer berechtigt ist, seine Rechte und/oder Pflichten aus dieser Vereinbarung ohne Zustimmung des Lizenzgebers auf ein mit Der Lizenznehmer verbundenes Unternehmen zu übertragen.

7.10.2 Subunternehmer

Ohne vorherige schriftliche Einwilligung des Lizenznehmers ist der Lizenzgeber nicht berechtigt, seine Pflichten aus dieser Vereinbarung ganz oder teilweise durch Subunternehmer erfüllen zu lassen.

7.10.3 Gesellschaft, Partnerschaft, Joint Venture

Soweit nicht ausdrücklich etwas anderes in dieser Vereinbarung festgelegt ist, begründet keine Bestimmung in dieser Vereinbarung eine Gesellschaft, Partnerschaft oder ein Joint Venture, gleich welcher Form, zwischen den Parteien oder die Stellung einer Partei als Handelsvertreter.

7.10.4 Unwirksame Bestimmung

Sollte eine Bestimmung dieser Vereinbarung ganz oder teilweise unwirksam oder nichtig sein oder werden („Unwirksame Bestimmung“) oder die Vereinbarung eine Lücke aufweisen, wird dadurch die Wirksamkeit der übrigen Bestimmungen (oder des wirksamen Teils der Unwirksamen Bestimmung) nicht berührt. An Stelle der unwirksamen Bestimmung oder zu Ausfüllung der Lücke gilt mit Rückwirkung diejenige wirksame und durchführbare Bestimmung als vereinbart, die rechtlich und wirtschaftlich dem am nächsten kommt, was die Parteien gewollt haben oder nach dem Sinn und Zweck dieser Vereinbarung gewollt hätten, wenn sie diesen Punkt beim Abschluss der Vereinbarung bedacht hätten.

7.10.5 Gesamte Abrede

Diese Vereinbarung stellt die gesamte Abrede der Parteien in Bezug auf den Vertragsgegenstand dar und geht allen vorherigen diesbezüglich zwischen den Parteien geschlossenen Vereinbarungen vor. Als die Parteien diese Vereinbarung geschlossen haben, hat keine der Parteien auf eine Aussage, Garantie oder Zusicherung vertraut, die nicht ausdrücklich in dieser Vereinbarung aufgeführt ist.

7.10.6 Änderungen

Alle Änderungen und/oder Ergänzungen dieser Vereinbarung bedürfen der Schriftform; dies gilt auch für eine Aufhebung und/oder Änderung dieser Klausel.

7.10.7 Unterschrift

Auf Seiten von des Lizenznehmers bedarf die Willenserklärung zum Vertragsschluss für ihre Wirksamkeit nicht der eigenhändigen Unterschrift, insoweit reicht z.B. eine mechanisch hergestellte Unterschrift oder Faksimile aus, soweit dem nicht ein gesetzliches Formerfordernis entgegensteht.

7.10.8 *Wirksamkeit der Regelungen*

Die Regelungen in Ziffern 2.10.5., 2.10.6., 2.10.7., 2.10.8., 2.10.9. und 2.10.10. bleiben auch nach einer Beendigung dieser Vereinbarung (gleich welcher Art) wirksam.

Diese Vereinbarung unterliegt Österreichischem Recht unter Ausschluss von UN-Kaufrecht und die Parteien unterwerfen sich der ausschließlichen Zuständigkeit Österreichischem Recht Gerichte in Bezug auf sämtliche (vertraglichen oder außervertraglichen) Streitigkeiten. Die Parteien vereinbaren als ausschließlichen Gerichtsstand Wien. Soweit diese Vereinbarung in eine andere Sprache übersetzt wird, geht bei einem Konflikt der deutsche Text vor.

Von den Parteien am jeweils angegebenen Datum unterzeichnet.

8 AGB für Webcams

8.1 Anwendungsbereich

Die Autobahnen- und Schnellstraßen-Finanzierungs-Aktiengesellschaft („ASFINAG“) bietet die Möglichkeit, Bilder zur aktuellen Verkehrslage auf dem hochrangigen Straßennetz in Österreich über sogenannte Webcams online abzurufen.

Eine Nutzung dieser seitens ASFINAG veröffentlichten Informationen (im Folgenden: „Webcam-Informationen“) ist ausschließlich aufgrund dieser Bedingungen zulässig. Mit dem Abrufen dieser Webcam-Informationen durch den Webcam-Partner unterwirft sich dieser diesen Allgemeinen Nutzungsbedingungen in ihrer jeweils gültigen Fassung.

Diese allgemeinen Nutzungsbedingungen können im Einzelfall durch weitere Bedingungen, z.B. durch gesonderte Dienstleistungsvereinbarungen, ergänzt, modifiziert oder ersetzt werden. Diese allgemeinen Nutzungsbedingungen gelten für Webcam-Partner. Unter Webcam-Partner sind Dritte zu verstehen, die die Webcam-Informationen der ASFINAG auf Ihren Webseiten Verlinken oder auf Ihren Webseiten auf eine sonstige Art und Weise bereitstellen.

8.2 Leistungen der ASFINAG

Nach vorheriger Kontaktaufnahme durch den künftigen Webcam-Partner übermittelt die ASFINAG dem Webcam-Partner eine Liste sämtlicher Webcams zur Integration auf seinen Webseiten. Diese Liste beinhaltet Informationen zu den Webcams betreffend Standort, Bezeichnung, Blickrichtung und ergänzende Informationen sowie insbesondere den Link zur Integration auf seiner Webseite. Eine Nutzung der Webcams in Form der Verlinkung bedarf der vorherigen Freigabe der ASFINAG. Eine Nutzung der Webcams in Form der Verlinkung ohne vorherige Abstimmung mit der ASFINAG ist nicht zulässig.

Grundsätzlich ist die Verlinkung der ASFINAG Webcams auf die Webseiten des Webcam-Partners nicht kostenpflichtig. Der Webcam-Partner ist jedoch verpflichtet, der ASFINAG auf Anfrage die erforderlichen Informationen zur Verfügung zu stellen, insbesondere aktuelle und historische Zugriffszahlen auf die seitens des Webcam-Partners verlinkten und von der ASFINAG zur Verfügung gestellten Webcam-Informationen. Sollten durch die Anzahl der Zugriffe auf die verlinkten Webcam-Informationen auf den Seiten des Webcam-Partners die technischen Einrichtungen der ASFINAG beeinträchtigt werden, so ist die ASFINAG berechtigt, den Webcam-Partner über den Umstand zu informieren und danach den Zugriff zu limitieren bzw. zu sperren.

Gegen eine entsprechende Kostenbeteiligung des Webcam Partners kann die Sperre oder Limitierung der Webcamzugriffe aufgehoben werden und im Rahmen einer Sondervereinbarung erhöhte Zugriffszahlen gestattet werden.

ASFINAG hält die Webcam-Informationen zur Nutzung durch den Webcam-Partner zum Abruf bereit, ist jedoch berechtigt, jederzeit diese Bereitstellung ganz oder teilweise einzustellen. Es wird ausdrücklich keine Gewähr für den Inhalt und für eine bestimmte oder für eine ununterbrochene Verfügbarkeit der Webcam-Informationen übernommen.

Die ASFINAG behält sich vor jederzeit zusätzliche Informationen in Text- oder Bildform in die Webcaminformationen einzublenden. Dies kann beispielsweise in Form eines Micro Banners oder als Texteinblendung vor oder nach dem eigentlichen Webcambild erfolgen.

Dem Webcam-Partner trifft die alleinige Verantwortung, dass eine Verlinkung auf seiner Webseite stattfindet und aufrechterhalten werden kann. Der Webcam-Partner hat selbst auf seine Kosten dafür die technischen Möglichkeiten zu schaffen und aufrecht zu erhalten.

Dokument-Nr. 100.800.1012	ASFINAG CONTENT Service Package Catalog	Version: 2.9
------------------------------	--	--------------

8.3 Titel

Die Webcam-Informationen und Informationen, die durch die Webcam-Informationen der ASFINAG unmittelbar oder mittelbar erlangt wurden, dürfen über die Verlinkung hinaus vom Webcam-Partner nicht in einer anderen Art und Weise an Dritte vertrieben, vermietet oder in sonstiger Weise überlassen oder zugänglich gemacht werden. Der Nutzer der ASFINAG Webcams (Webcam Partner) darf keine weiterführenden Dienste außer die einfache Verlinkung auf die ASFINAG Webcams im Internet zur Verfügung stellen. Insbesondere ist die Nutzung der ASFINAG Webcams in Smartphone Apps (z.B. iOS, Android) oder Diensten, die eine Speicherung bzw. Vorauswahl von Webcamfavoriten ermöglicht oder eine gleichzeitige Mehrfachansicht der ASFINAG Webcams als Dienst zur Verfügung stellt, nicht gestattet.

Der Webcam-Partner wird die an den Webcam-Informationen bestehenden Rechte (insbesondere Urheberrechte, geistiges Eigentum) in jedem Einzelfall beachten und keine Handlungen oder Unterlassungen setzen, die zu einer Verletzung dieser Rechte führt oder führen könnte.

Weiters dürfen Informationen, Markennamen und sonstige Inhalte der Webcam-Informationen ohne vorherige ausdrückliche schriftliche Genehmigung der ASFINAG weder verändert, kopiert, vervielfältigt, verkauft, vermietet, genutzt, ergänzt oder auf eine sonstige Art und Weise verwendet bzw. verwertet werden.

Bei Nutzung ist jedenfalls sicherzustellen, dass für den Endkunden klar, eindeutig und unmißverständlich ist, dass die entsprechenden Informationen, Informationen der ASFINAG darstellen. Werden die Inhalte im Rahmen eigener Programme bei Broadcastdiensten genutzt, ist im Rahmen dieser Programme bei jeder Nutzung der ASFINAG Informationen ebenfalls ASFINAG als Quelle im Programm zu nennen.

Außer etwaiger ausdrücklich eingeräumten Nutzungsrechte oder sonstigen Rechte, werden dem Webcam-Partner keine weiteren Rechte welcher Art auch immer eingeräumt. Auch trifft die ASFINAG keine Verpflichtung, dem Webcam-Partner derartige Rechte einzuräumen.

8.4 Pflichten des User/Visitor

Der Webcam-Partner darf bei Nutzung der Webcam-Informationen nicht:

- Personen Schaden zufügen oder deren Persönlichkeitsrechte verletzen;
- mit seinem Nutzungsverhalten gegen die guten Sitten verstoßen;
- gewerbliche Schutz- und Urheberrechte oder sonstige Eigentumsrechte der ASFINAG und/oder Dritter verletzen;
- Inhalte mit Viren, sog. Trojanischen Pferden oder sonstige Programmierungen, die Software beschädigen können, übermitteln;
- Hyperlinks oder Inhalte eingeben, speichern oder senden, zu denen er nicht befugt ist, insbesondere wenn diese Hyperlinks oder Inhalte gegen Geheimhaltungsverpflichtungen verstoßen oder rechtswidrig sind; oder
- Werbung oder unaufgeforderte E-Mails (so genannten „Spam“) oder unzutreffende Warnungen vor Viren, Fehlfunktionen und dergleichen verbreiten oder zur Teilnahme an Gewinnspielen, Schneeballsystemen, Kettenbrief-, Pyramidenspiel- und vergleichbaren Aktionen auffordern.

Die ASFINAG ist berechtigt, den Zugang zu den Webcam-Informationen jederzeit ohne Begründung zu sperren, insbesondere wenn der Webcam-Partner gegen seine Pflichten aus diesen allgemeinen Nutzungsbedingungen verstößt.

8.5 Hyperlinks

Die Homepage der ASFINAG und die Webcam-Informationen können Hyperlinks auf

Document-Nr. 100.800.1012	ASFINAG CONTENT Service Package Catalogue	Version: 2.9
------------------------------	--	--------------

Webseiten Dritter enthalten. ASFINAG übernimmt für die Inhalte dieser Webseiten keine Verantwortung. ASFINAG macht sich weder diese Webseiten noch ihre Inhalte zu eigen, da ASFINAG die verlinkten Informationen nicht kontrolliert und für die dort bereit gehaltenen Inhalte und Informationen auch nicht verantwortlich ist. Die Nutzung derartiger Hyperlinks erfolgt auf eigenes Risiko des Webcam-Partner.

8.6 Haftung

ASFINAG haftet nicht für etwaige Sach- und Rechtsmängel der bereit gestellten Informationen, insbesondere ist eine Haftung für Richtigkeit, Fehlerfreiheit, Freiheit von Schutz- und Urheberrechten Dritter, Verfügbarkeit, Vollständigkeit und/oder Verwendbarkeit der bereit gestellten Informationen ausgeschlossen.

Jeglicher Schadenersatzanspruch gegen ASFINAG ist ausgeschlossen, soweit der ASFINAG nicht ein vorsätzliches Verhalten oder Arglist nachgewiesen werden kann. Obgleich sich ASFINAG stets bemüht, die Webcam-Informationen virenfrei zu halten, garantiert ASFINAG keine Virenfreiheit. Vor dem Herunterladen liegt es im ausschließlichen Risikobereich des Webcam-Partners, zum eigenen Schutz sowie zur Verhinderung von Schäden durch Viren u.ä.m. für angemessene Sicherheitsvorrichtungen und Virens Scanner Sorge zu tragen.

ASFINAG übernimmt keine Verantwortung dafür, dass die Webcam-Informationen auch an Orten außerhalb Österreichs abgerufen oder heruntergeladen werden können bzw. dürfen. Wenn ein Webcam-Partner oder dessen User/Visitor von Orten außerhalb Österreichs auf die Webcam-Informationen zugreift, ist er ausschließlich selbst für die Einhaltung der jeweiligen einschlägigen Vorschriften verantwortlich. Der Zugang zu den Webcam-Informationen aus Staaten, in denen dieser Zugang rechtswidrig ist, ist nicht gestattet.

8.7 Gerichtsstand, anwendbares Recht

Alle sich aus oder im Zusammenhang mit den gegenständlichen Allgemeinen Nutzungsbedingungen ergebenden materiellrechtlichen Fragen sind nach österreichischem materiellen Recht unter Ausschluß des Übereinkommen der Vereinten Nationen über Verträge über den internationalen Warenkauf, unter Ausschluß der Kollisionsnormen seines internationalen Privatrechts sowie unter Ausschluß des Europäischen Vertragsstatutübereinkommens zu beurteilen.

Zur Entscheidung über sämtliche Streitigkeiten aus oder im Zusammenhang mit diesen Allgemeinen Nutzungsbedingungen, insbesondere auch über die Frage ihres gültigen Zustandekommens und ihres aufrechten Bestandes, wird die ausschließliche Zuständigkeit des für den ersten Wiener Gemeindebezirk - Innere Stadt jeweils sachlich zuständigen Gerichts vereinbart.

APPENDIX A ASFINAG CONTENT Managed Data Sources

A.1 VMIS – ASFINAG Traffic Management System

The „Verkehrsmangement und –informationssystem“, which translates to „Traffic Mangement and Information System“ is the ASFINAG TMS for the whole Austrian highway network. It delivers all data from the traffic and weather sensors to the central processing units where the data is analysed and used for various purposes. And it enables operators in each of the control centers to set the VMS signs on any highway in Austria.


Key system data

2200 open field traffic sensors

200 traffic sensors in tunnels

2500 weather sensors

Traffic Sensors use inductive loop detection and overhead triple technology (radar, infrared, supersonic)

 VMS data is read from the „KRI“ intelligent routing device even before it reaches the central data processing centers „UZ“.

 Data read is the VMS response telegram, verifying that it has really switched.

A.2 ASFINAG Webcam System

1300 accessible webcams

The ASFINAG video camera system consists of 6000 cameras. 1300 of these cameras count as Webcams and can be accessed via a DATA_ITEM. Their distribution is shown below:

The large number and the great geographical spread of the cameras has called for a sophisticated maintenance regime for monitoring the system and repairing the units.

All of the cameras are included in the ASFINAG-wide BüS „Betriebsüberwachungssystem“, which stands for „system for monitoring operations“.

Automated Client-side Monitoring

In addition to that, Automated Client-side Monitoring is being implemented that will continuously check the whole video system by simulating operators at system nodes. It selects cameras one by one and verifies the output stream at the client-side by automated means. The programme will be put into operation in October 2014.

APPENDIX B ASFINAG CONTENT Data Sheet

B.1 Access

content.asfinag.at

B.2 Resource Collections (DATA_ITEMS)

Generic for all DATA_ITEMS

URI Example: <https://content.asfinag.at/resource/Ab12Xy0?username=max&password=MaxisSecret>

Documentation: <http://www.datex2.eu/d2-profile> (DEPLOYMENTS | DII PROFILE DIRECTORY)

DATA_ITEM Webcams MultiScreen: Resource Collection **webcams** Resource **multi_screen**

DATA_ITEM Webcams CamPic: Resource Collection **webcams** Resource **campic**

DATA_ITEM Incident Data: Resource Collection **trafficmessages**

DATA_ITEM Roadworks Detailed: Resource Collection **roadworks** Resource **complex**

DATA_ITEM Level Of Service: Resource Collection **trafficdata**

DATA_ITEM Variable Message Signs: Resource Collection **trafficsigns** Resource **dynamic**
Resource **static**

DATA_ITEM Intelligent Truck Parking: Resource Collection **itp** Resource **dynamic**
Resource **static**

DATA_ITEM Road Charging: Resource Collection **roadcharging**

DATA_ITEM Points Of Interest, ASFINAG Sites: Resource Collection **poi** Resource **asfinag_sites**

DATA_ITEM Points Of Interest, Highways: Resource Collection **poi** Resource **roads**

DATA_ITEM Points Of Interest, Highway Sections: Resource Collection **poi** Resource **roads**

DATA_ITEM Points Of Interest, Junctions: Resource Collection **poi** Resource **junctions**

DATA_ITEM Points Of Interest, Rest Areas: Resource Collection **poi** Resource **rest_areas**

DATA_ITEM Points Of Interest, Tunnels: Resource Collection **poi** Resource **tunnels**

DATA_ITEM Webcams Single Screen: Resource Collection **webcams** Resource **single_screen**

DATA_ITEM Intelligent Truck Parking: Resource Collection **itp** Resource **dynamic**
Resource **static**

DATA_ITEM Road Charging: Resource Collection **roadcharging**

DATA_ITEM Road Charging: Resource Collection **roadcharging**

DATA_ITEM Roadworks Simple: Resource Collection **roadworks** Resource **simple**

B.3 Universal Resource Identifiers (URI)

Data are retrieved by means of Universal Resource Identifiers (URI), defined below.

URI Format			
<code>https://content.asfinag.at/resource</code>	/	<code><resource key></code>	? <code>username=<username></code> & <code>password=<password></code>

All Resources are listed grouped into Resource Collections.

The ASFINAG CONTENT principle is to provide all data for a predefined number of queries and disallow any additional query. In other words, customized dynamic queries on the ASFINAG CONTENT database are not supported.

A B.3.1 Resource Key

The Resource Key is an encryption of the Resource Collection and Resource and defines the DATA_ITEM from the Data Catalogue to be retrieved. The encryption is an alphanumeric string like „Xy7ba0“. The Resource Key has to be obtained from the ASFINAG CONTENT portal www.asfinag.at | ASFINAG CONTENT Trafficdata.

<i>Information Item</i>	<i>Example</i>	<i>Response File Field</i>
Language	de	01
Region	n	02 + 03
Datatype		
Resolution Location Level	1	08
Resolution Time Level	1	09
Extension	xml	

See „Response File Fields“ for details on all possible values for the information item.

Layout of Response File

The general layout of the Response File names for the predefined queries of a resource is

Response File Name = Field01_Field02_ ...

Query Identifier for „no query“

The Query Identifier for „no query“ is: 0 (zero)

Dokument-Nr. 100.800.1012	ASFINAG CONTENT Service Package Catalog	Version: 2.9
------------------------------	--	--------------

All possible values for Response File Fields

In the Resource List, the example is always given for readability. For all possible values, refer to „Response File Fields“.

Document-Nr. 100.800.1012	ASFINAG CONTENT Service Package Catalogue	Version: 2.9
------------------------------	--	--------------

B.4 Response File Fields

Field	Example Value	Field Name	Possible values	
01	de	Language	de	
02 + 03	1_0	Version	1_1 etc.	
04	trafficmessages	Resource Collection	trafficmessages roadworks trafficdata trafficsigns poi	
05	asfinag	Resource (name is only unique within the Resource Collection)	<i>Resource Collection</i> trafficmessages roadworks trafficdata trafficsigns poi	<i>Resource</i> asfinag simple asfinag variable restareas webcams
06	ASFINAG	Source	ASFINAG	
07	n	Region	0 (all regions) b (Burgenland) k (Kärnten) n (Niederösterreich) o (Oberösterreich) s (Salzburg) st (Steiermark) t (Tirol) v (Vorarlberg) w (Wien)	
08	resloc1	Resolution Location	resloc1 (2 km) resloc2 (200 m) resloc3 (10m)	
09	restim1	Resolution Time	restim1 (10 min) restim2 (1 min)	
Extension	xml	File Type	json xml	

Print Date: 14.04.2016

Document Name: ASFINAG CONTENT FRAMEWORK

©2015 ASFINAG Autobahnen- und Schnellstraßen-Finanzierungs-Aktienges. page 5 of 7

Dokument-Nr. 100.800.1012	ASFINAG CONTENT Service Package Catalog	Version: 2.9
------------------------------	--	--------------

APPENDIX C ASFINAG CONTENT Service Level Agreements

Please contact ASFINAG for details: gottfried.allmer@asfinag.at.

Document-Nr. 100.800.1012	ASFINAG CONTENT Service Package Catalogue	Version: 2.9
------------------------------	--	--------------

APPENDIX D ASFINAG CONTENT Price List

Please contact ASFINAG for details: gottfried.allmer@asfinag.at.